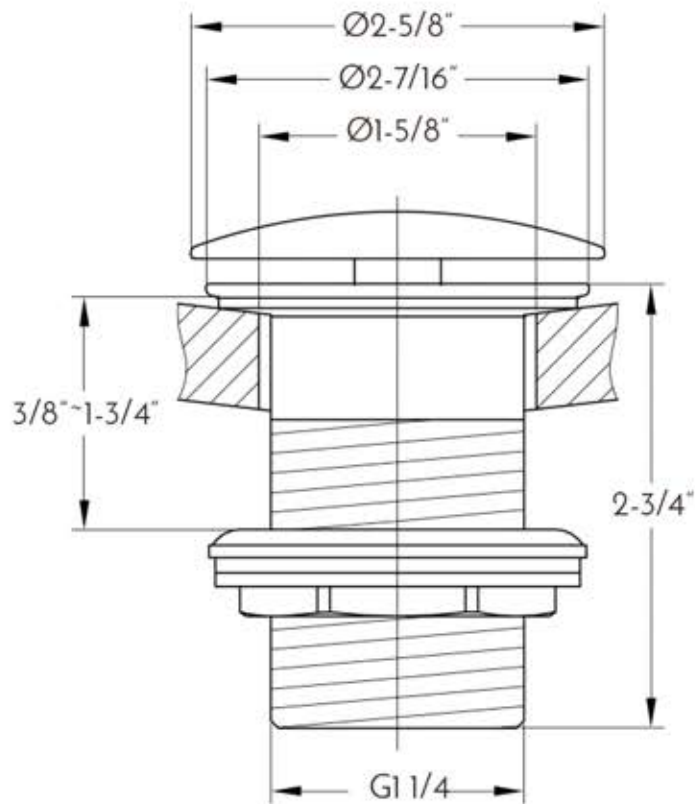




DAX-82016-BL



POP UP DRAINS **SERIES**



## FEATURES

- Brass body
- Mounting parts included
- Without overflow
- Black finish

For parts or sale requirements  
please contact our customer service department:

 [CS@daxib.com](mailto:CS@daxib.com)

 1 888 685 8236